

WILLIAM GRAY

WILLIAMGRAY.COM @MRWILLIAMGRAY BY MEYER DAVIS



PRODUCT: Trinity Side Table

COLLECTION: TRINITY

MANUFACTURER: STELLAR WORKS

CURATED BY:
2020, N.Y.C.

William Gray

WG

©2023 WILLIAM GRAY INC.

Trinity Side Table

PRODUCT ID WG-T440-WD / ST

DESCRIPTION The Trinity Round Table is established by a sturdy central base, supporting a thick, solid table top. Unified by a single wood finish, this robust piece demands attention as a grand dining table. Available in a range of finishes and customizable upon request.

DIMENSIONS D × W × H × SH
20 × 20 × 20.8 in
508 × 508 × 528 mm

MATERIAL OPTIONS Oak / Walnut

- a. Natural Oak
- b. Gray Oak
- c. Dark Brown Oak
- d. Onyx Oak
- e. Natural Walnut
- f. Soap Walnut
- g. Nero Marquina
- h. Volakas Marble



a



b



c



d



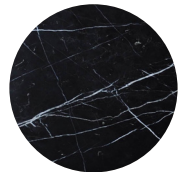
e



f



g



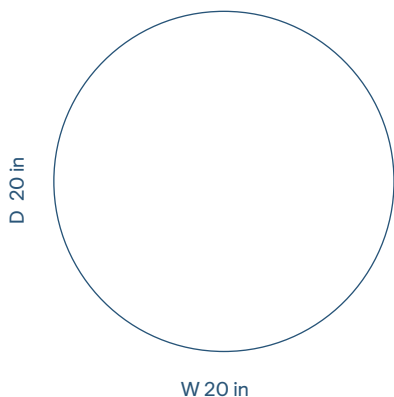
h

Trinity Side Table

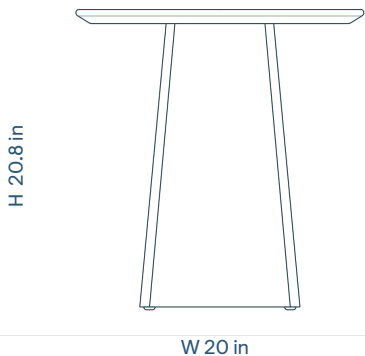


Trinity Side Table

Plan



Front Elevation



Side Elevation

