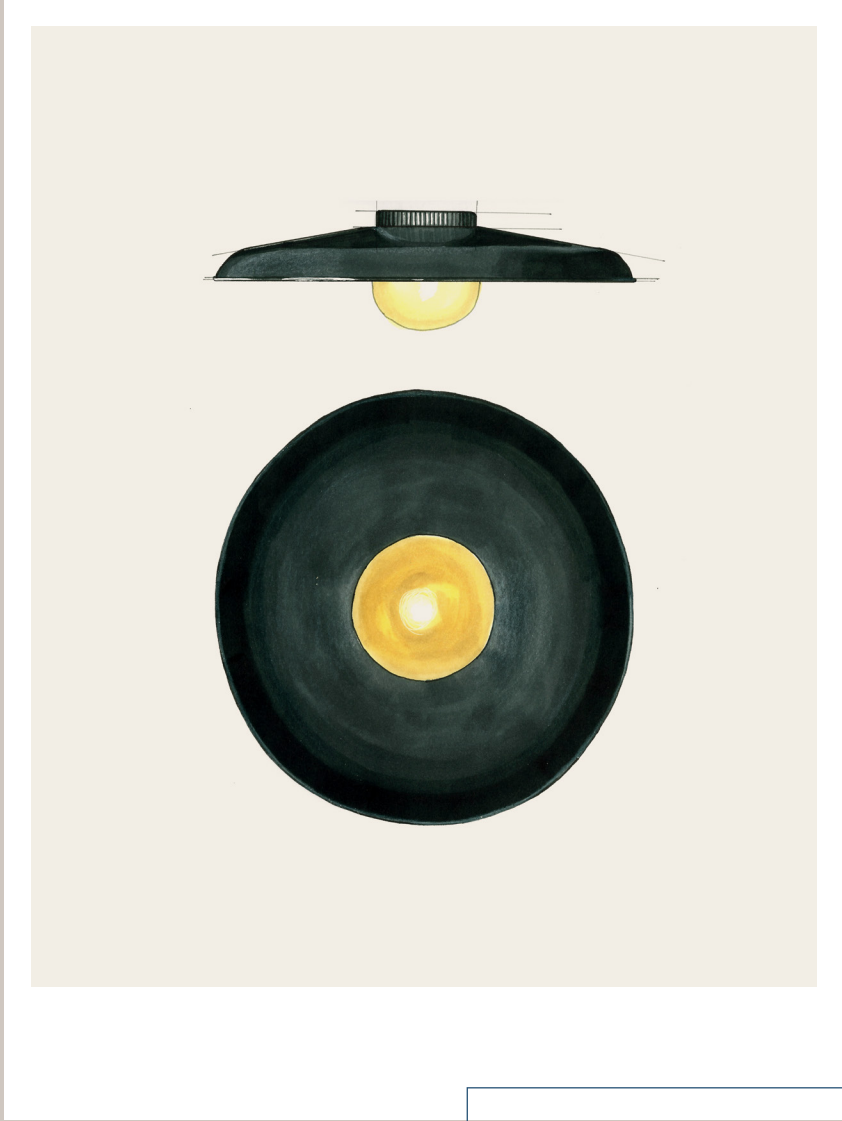


WILLIAM GRAY

MRWILLIAMGRAY.COM @MRWILLIAMGRAY BY MEYER DAVIS



PRODUCT: Hoist Pendant Large

COLLECTION: HOIST

MANUFACTURER: RICH BRILLIANT WILLING

CURATED BY:
2020, N.Y.C.

William Gray

WG

©2020 WILLIAM GRAY INC.

Hoist Pendant Large

DESCRIPTION

A fun pendant that inhabits its space, the largest member of the Hoist collection adds graphic form and color to any space. The transitional nature of the shade - alongside the collection's innate flexibility - creates a malleable product at home within a wide range of styles. A great choice over a round dining table or grandiose bar, the pendant is available in hard-wired or plug-in configurations. Equally suited for indoor and outdoor use and customizable in a range of powdercoat options.

DIMENSIONS & WEIGHT

Ø 21 × H 7 in / Ø 530 × H 180 mm
6.6 lb / 3 kg

Canopy 5 in / 130 mm
Cord 16 ft / 426 cm

SPECIFICATIONS

8.5W power consumption
655 lumens delivered

Lamping

1 x 8.5W LED
700 lumen source
min 80 CRI

LED Lifespan

50k hour

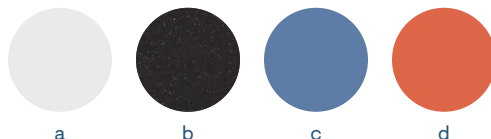
Available in 110-277V, 120V, or 220/240V input voltage
2200K, 2700K, 3000K or 3500K color temperature
Portfolio Dimming

MATERIAL

Cast glass diffuser, steel shade, aluminum module

FINISH

a. Cream White
b. Black
c. Blue
d. Vermilion



Hoist Specification Logic

Product ID specification logic

Model	Variant	Finish	CCT	Input	Control	Power	IP
-------	---------	--------	-----	-------	---------	-------	----

Model

Hoist						H	
Hoist sconce						HS	
Hoist pendant						HP	

Variant

21" shade large diffuser						21B	
14" shade large diffuser						14B	
8" shade small diffuser						08A	
no shade large diffuser						B	
no shade small diffuser						A	

Finish

Cream White						PC 24	
Matte Black						PC30	
Blue Gloss						PC36	
Vermilion						PC42	
custom powder coating						PCXX	
custom plated finish						PFX	

Color Temp

2200K (candlelight) ('-TR' control only)						22	
2700K (warm white)						27	
3000K (soft white) ('-TM' control only)						30	
3500K (neutral white) ('-TM' control only)						35	

Input Voltage

110-120V						120	
220-240V (only with Flex "-TM" control)						220	
110-277V*						277	

*Upon request. Compatible with Performance "-10" and "-DL" control.

Control

Standard TRIAC forward-phase (10-100% dimming)						TR	
Flex 0-10V analog* (1-100% dimming)						TM	
Flex TRIAC forward-phase* (1-100% dimming)						TM	
Flex ELV reverse-phase* (1-100% dimming)						TM	
Performance 0-10V analog* (0.1-100% dimming)						10	
Performance DALI digital* (0.1-100% dimming)						DL	

*Requires external power supply

Power / external power supply	DEX
--------------------------------------	-----

IP Rating / IP 65	IP65
--------------------------	------

Pendant Swag Kit

Optional swag kit allows for installation without overhead junction box.
SKU: HP-2-PX__

Plug in Cord

192 in / 4877 mm standard cord length available in white. Custom lengths available upon request.

Canopy

5 in / 127 mm canopy matched to shade finish comes standard with every order.

Hoist Pendant Large



Hoist Pendant Large

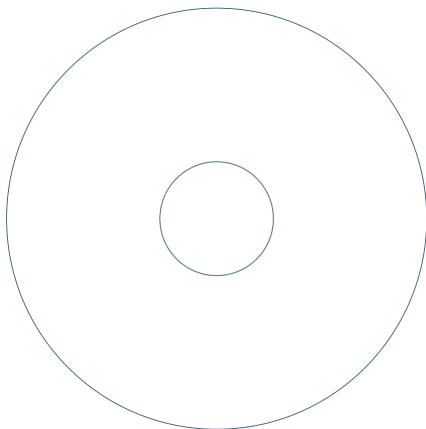


Hoist Pendant Large



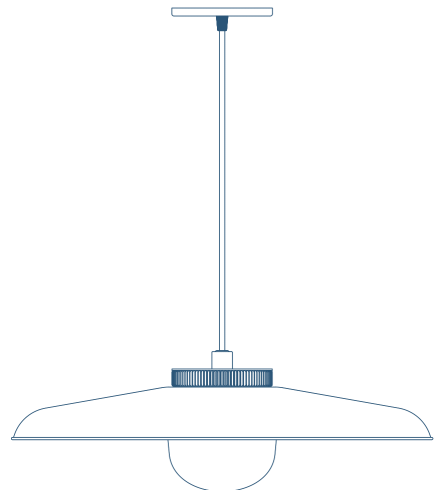
Hoist Pendant Large

Plan Elevation



Ø 21 in

Front Elevation



H 7 in